



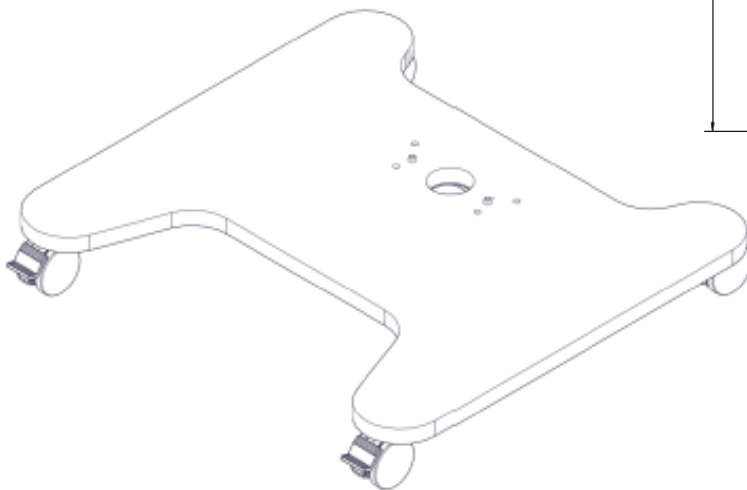
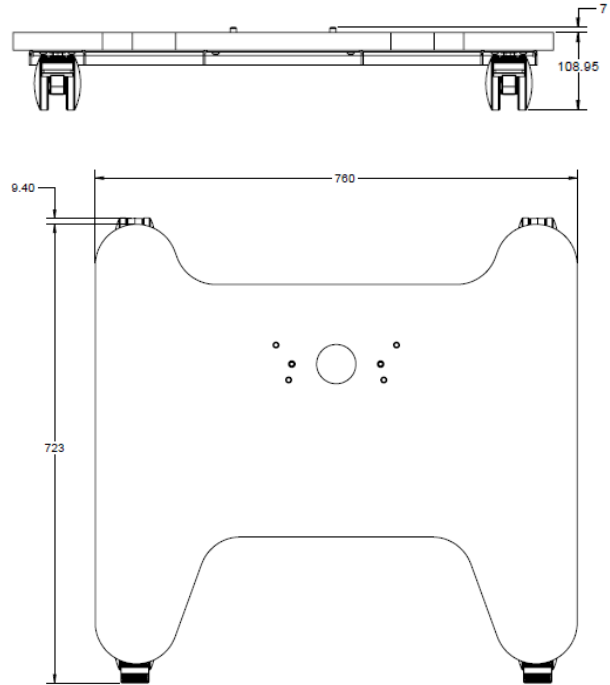
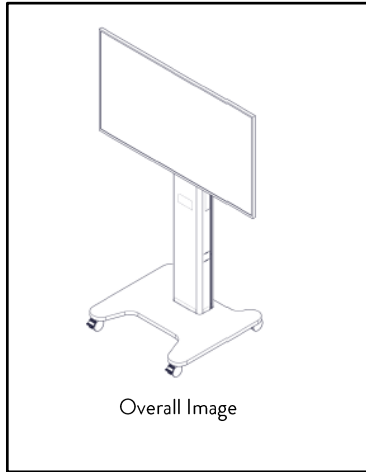
TECHNICAL SPECIFICATION SHEET

PRODUCT NAME: AV/VC Intro – Base

PRODUCT CODE: AVS/031/002

Doc Rev 2.

12.05.2021 CS



*Note that dimensions provided are measured in mm

KEY FEATURES

- Lockable castors
- Cut out in base designed to allow the user easy access to screen and back panel when used in an interactive session
- Location pins to allow easy install of column
- Cable management hole provided

Product Classification	AV Products
Max load	60 kg (132 lbs)
Max Screen Size	40" > 80"
Recycled content	TBC
Total product recyclable	TBC

LOGISTICAL

Box contains	Base (incl castors)
Product net weight:	12.6 kg
Box dims (HxWxD)	765 x 830 x 130 mm
Box gross weight	15.8kg
Pallet quantity	TBC
Pallet dims (HxWxD)	TBC
Master weight	TBC
Country of origin	Czech Republic
Country of configuration	UK

ORDERING INFORMATION

<u>Product Description</u>	<u>Product code</u>	<u>Colour</u>
AV/VC Intro – Base	AVS/031/002	:/W White or :/B Black

WARRANTY

Warranty Term	12 years
----------------------	----------

COMPLIANCE & SAFETY CERTIFICATION

Whilst no mandatory standards apply to the AV/VC Intro accessory product sector, this product is tested to CBS's own standard which is based on UL 1678, (Tall display stands in public spaces, excluding hospitals, schools or similar environments where children, people with diminished capacity or disabilities are likely to move

Conformance certification	N/A
Test authority	CBS
Safety certification	N/A

ENVIRONMENTAL

TBC

CLEANING, STORAGE & MAINTENANCE

Routine servicing	Periodic inspection
Service components	Available to order
Cleaning & Maintenance	Damp cloth, no abrasives, no solvents to be used on the cosmetic surfaces
Handling & Storage	Do not drop or expose to moisture

Colebrook Bosson Saunders (Products) Ltd accept no liability for the accuracy of the information contained herein and retain the right to modify the specifications or data contained herein without prior notification.