



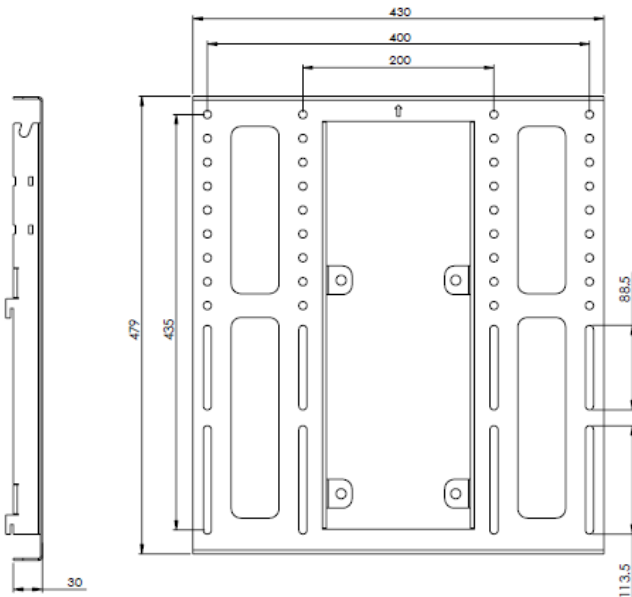
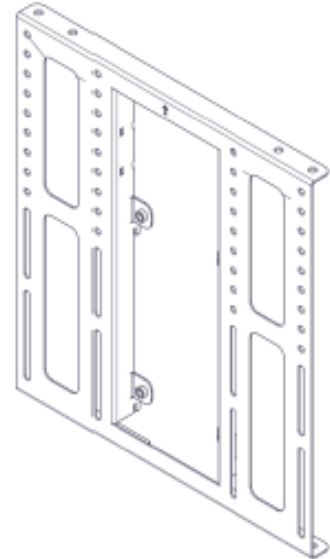
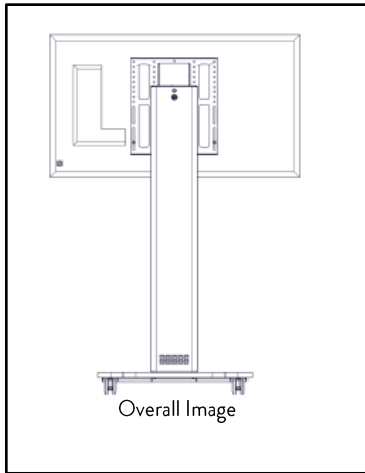
TECHNICAL SPECIFICATION SHEET

PRODUCT NAME: AV/VC Intro – Screen Mount Kit

PRODUCT CODE: AVS/031/SMK1

Doc Rev 3.

12.05.2021 CS



*Note that dimensions provided are measured in mm

KEY FEATURES

- Supports single screen formats from 40" to 80"
- Fine height adjustment for perfect dual screen alignment
- Screen Mounts lock into position for safety

| | |
|---------------------------------|-----------------|
| Product Classification | AV Products |
| Max load | 60 kg (132 lbs) |
| Max Screen Size | 40" > 80" |
| Recycled content | 12.9% |
| Total product recyclable | 100% |

LOGISTICAL

| | |
|--------------------------|-----------------------------|
| Box contains | Screen Mount Frame, Fixings |
| Product net weight: | 2.4 kg |
| Box dims (HxWxD) | 505 x 405 x 65 mm |
| Box gross weight | 2.8kg |
| Pallet quantity | TBC |
| Pallet dims (HxWxD) | TBC |
| Master weight | TBC |
| Country of origin | Czech Republic |
| Country of configuration | UK |

ORDERING INFORMATION

| <u>Product Description</u> | <u>Product code</u> | <u>Colour</u> |
|--------------------------------|---------------------|------------------------|
| AV/VC Intro – Screen Mount Kit | AVS/031/SMK1 | :/W White or :/B Black |

WARRANTY

| | |
|---------------|----------|
| Warranty Term | 12 years |
|---------------|----------|

COMPLIANCE & SAFETY CERTIFICATION

Whilst no mandatory standards apply to the AV/VC Intro accessory product sector, this product is tested to CBS's own standard which is based on UL 1678, (Tall display stands in public spaces, excluding hospitals, schools or similar environments where children, people with diminished capacity or disabilities are likely to move

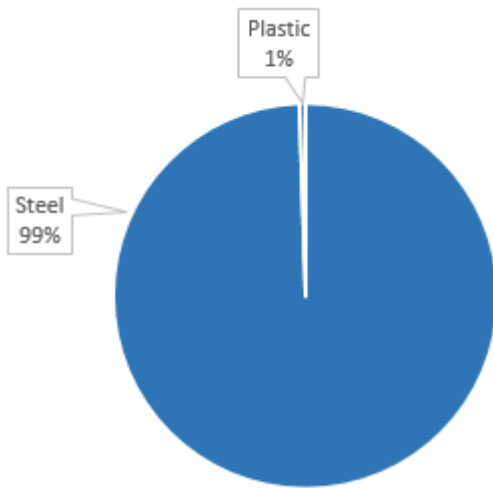
| | |
|---------------------------|-----|
| Conformance certification | N/A |
| Test authority | CBS |
| Safety certification | N/A |

ENVIRONMENTAL

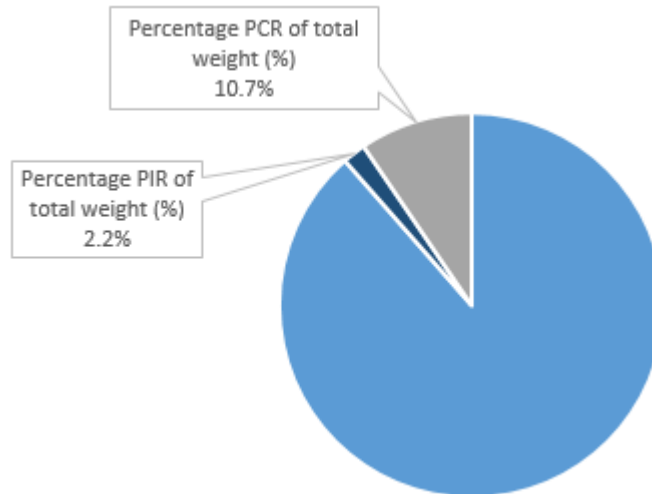
| Material Make-up | | | Total Recycled Content | Breakdown of Recycled Content | | Total Recyclable | |
|------------------|--------------------------------|--|------------------------------------|------------------------------------|------------------------------------|------------------------------|------------------------------|
| Overall Product | | | Overall Product | | | Overall Product | |
| Material type | Total Material type weight (g) | Percentage of Total Product Weight (%) | Material-Type Recycled Content (%) | Percentage PIR of total weight (%) | Percentage PCR of total weight (%) | Total Product Recyclable (g) | Total Product Recyclable (%) |
| Steel | 2388 | 99.5% | 12.9% | 2.2% | 10.7% | 2388 | 99.5% |
| Plastic | 12 | 0.5% | 0.0% | 0.0% | 0.0% | 12 | 0.5% |
| Total | 2400 | 100.0% | 12.9% | 2.2% | 10.7% | 2400 | 100.0% |

PIR = Post Industrial Recycled
PCR = Post Consumer Recycled

Total Product Weight (%)



Total Product Recycled Content (%)



CLEANING, STORAGE & MAINTENANCE

Routine servicing

Periodic inspection

Service components

Available to order

Cleaning & Maintenance

Damp cloth, no abrasives, no solvents to be used on the cosmetic surfaces

Handling & Storage

Do not drop or expose to moisture

Colebrook Bosson Saunders (Products) Ltd accept no liability for the accuracy of the information contained herein and retain the right to modify the specifications or data contained herein without prior notification.