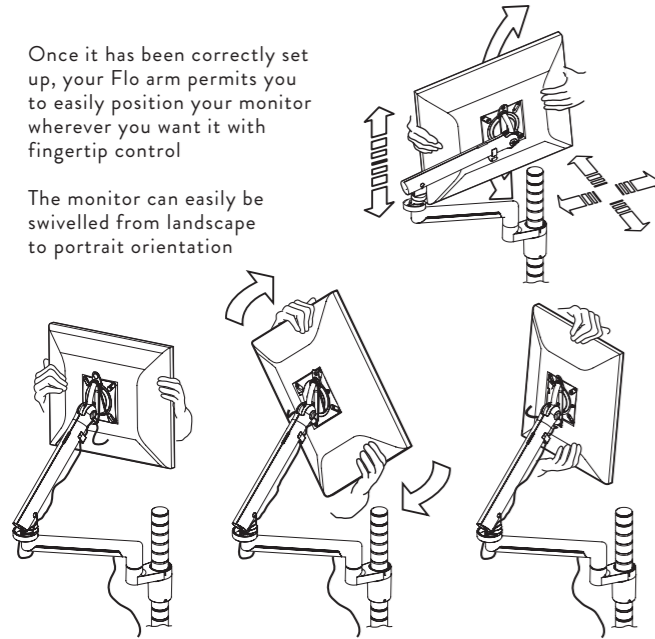


USING YOUR FLO ARM

10

Once it has been correctly set up, your Flo arm permits you to easily position your monitor wherever you want it with fingertip control

The monitor can easily be swivelled from landscape to portrait orientation



USEFUL TIP

Ensure you have allowed enough free cable for screen rotation

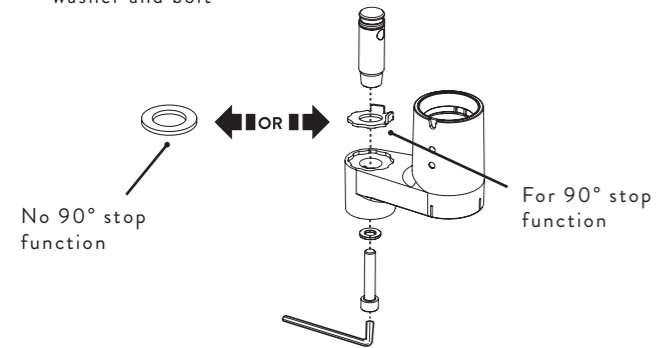
FLO MODULAR DUAL MOUNT ASSEMBLY

FLO MODULAR DUAL CLAMP BRACKET ASSEMBLY

11

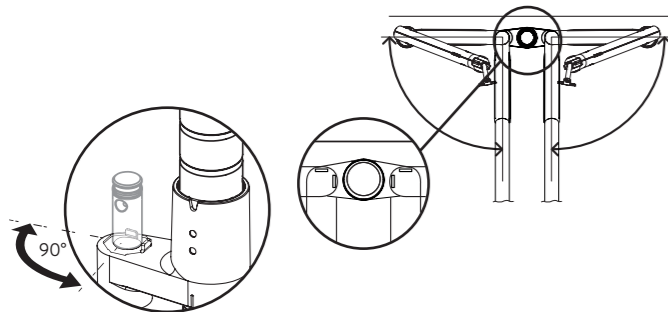
⚠ Note that bracket is inverted for 2nd arm installation

Install spigot, washer and bolt



No 90° stop function

For 90° stop function



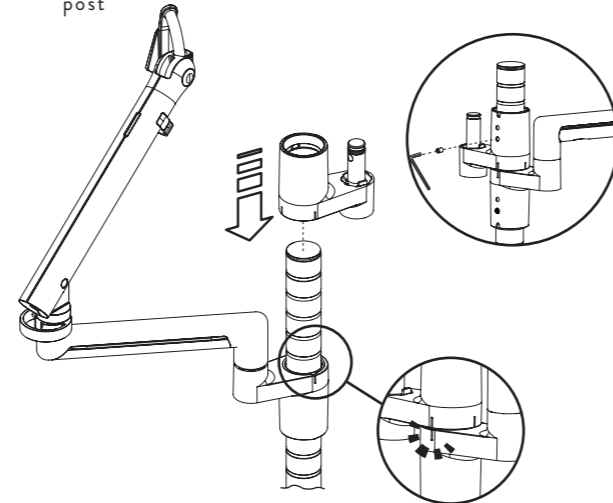
⚠ Ensure the washer is orientated correctly for required 90° stop position

INSTALL SECOND FLO MODULAR CLAMP BRACKET AND ARM

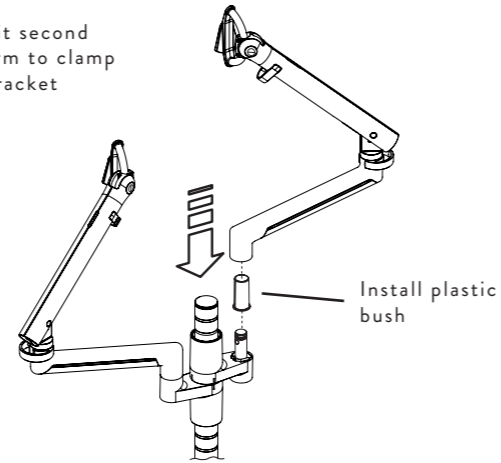
12

12A Fit clamp bracket to post

12B Install grub screw



12C Fit second arm to clamp bracket



Install plastic bush

IMPORTANT

To complete installation of second monitor repeat from step 5 overleaf

DESK FIXING COMPATIBILITY

CODE	MOUNT DESCRIPTION	WITH 90° STOP	WITHOUT 90° STOP
WORKSURFACE MOUNTS			
UNI/LCLM38	Universal Desk Clamp	Not recommended	✓ Recommended
UNI/TAC/001	Universal Top Mount Clamp	Not recommended	✓ Recommended
UNI/SMC/001	Universal Screen Mount Clamp	Not recommended	✓ Recommended
UNI/CSG100/K	Cast Grommet Mount	Not recommended	✓ Recommended
UNI/HLC/001	Universal High Load Split Mount Clamp	✓ Recommended	✓ Recommended
UNI/HLC/002	Universal High Load Top Mount Clamp	✓ Recommended	✓ Recommended
WSH/100S12/K	Through Desk Mount	Not recommended	✓ Recommended
WSH/50S12/K	Through Desk Mount	Not recommended	✓ Recommended
SLATWALL / WALL MOUNTS			
UNI/MSB/001	Multi Screen Slatwall Mount	✓ Recommended	✓ Recommended
UNI/MSB/002	Multi Screen Slatwall Mount	✓ Recommended	✓ Recommended
UNI/SWB/001	Universal Slatwall Mount	Not recommended	✓ Recommended
UNI/SWB/002	Universal Slatwall Mount	Not recommended	✓ Recommended

* Note that the Flo modular will fit to this mount but the post-mount component cannot clamp to it so arm articulation will be unpredictable.

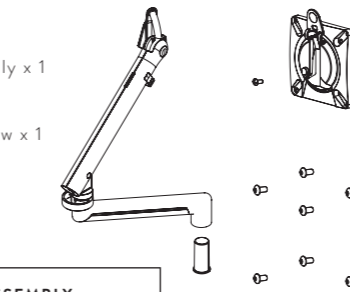
COMPONENT LIST

FLO MODULAR

Flo monitor arm x 1
Clamp bracket assembly x 1
Plastic bush x 1
VESA plate x 1
Optional security screw x 1
M4x10 Screws x 4
M4x12 Screws x 4
3mm Allen Key x 1
6mm Allen Key x 1

CLAMP BRACKET ASSEMBLY

Spigot x 1
90° stop Washer x 1
M16 Washer x 1
Bolt x 1
Lock washer x 1
Grub screw x 1

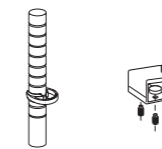


IMPORTANT

Dual install requires 2 x DYN-013-007

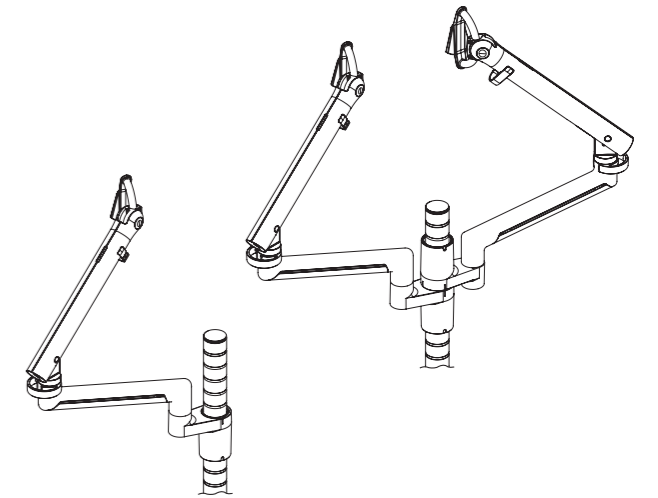
OTHER REQUIRED COMPONENTS

Wishbone post x 1
Desk fixing x 1



www.colebrookbossonsaunders.com

flo modular



FLO MODULAR INSTRUCTIONS

DYN-013-007 -INST-C-MAR 2015

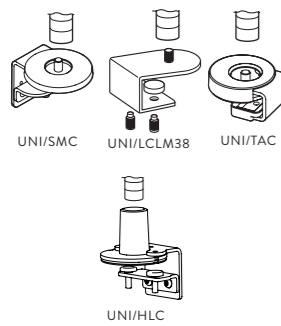
FIXING POST TO DESK OPTIONS

1

Follow one of the Desk and Post fixing options described below

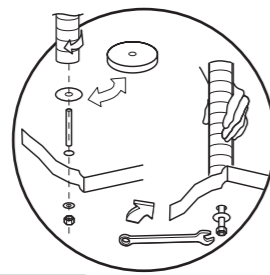
IMPORTANT
Please see compatibility table overleaf for guidance on recommended desk fixings

A DESK CLAMP



B THROUGH DESK

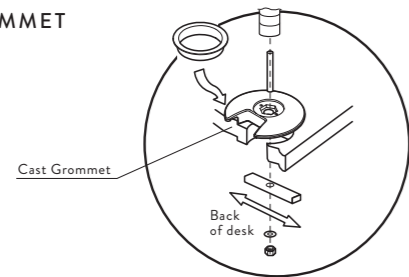
UNI/50S12/K
UNI/100S12/K



IMPORTANT
Refer to individual instructions

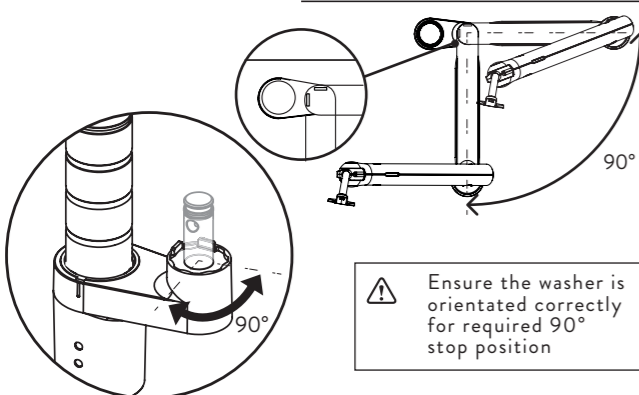
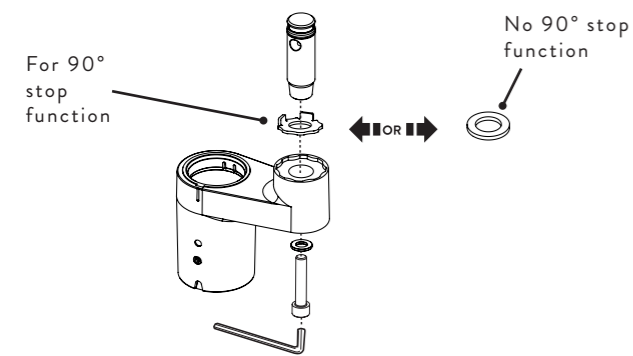
C CAST GROMMET

UNI/CSG100/K
UNI/CSG50/K



ASSEMBLE POST MOUNT COMPONENTS

2



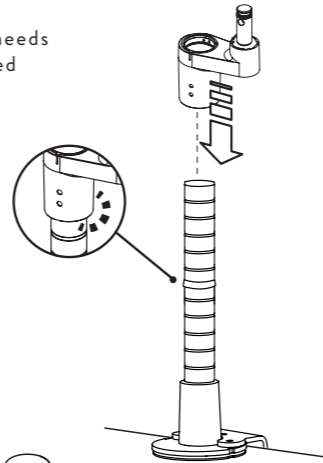
IMPORTANT
Ensure the washer is orientated correctly for required 90° stop position

ATTACH CLAMP BRACKET TO POST

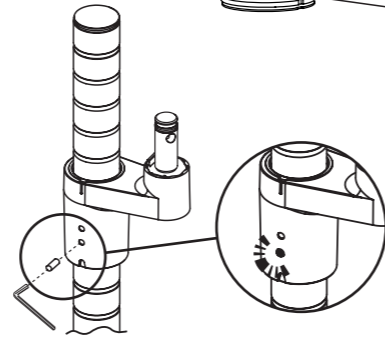
3

See also step 2 if 90° stop needs to be reconfigured or removed

3A Install Clamp bracket to Post

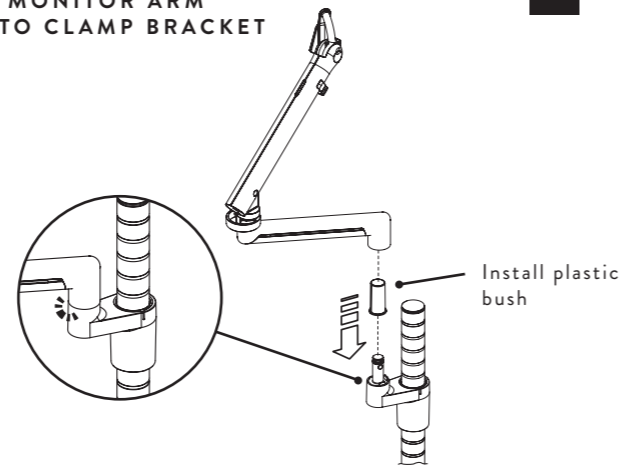


3B Install Grub screw to secure



FIT MONITOR ARM ONTO CLAMP BRACKET

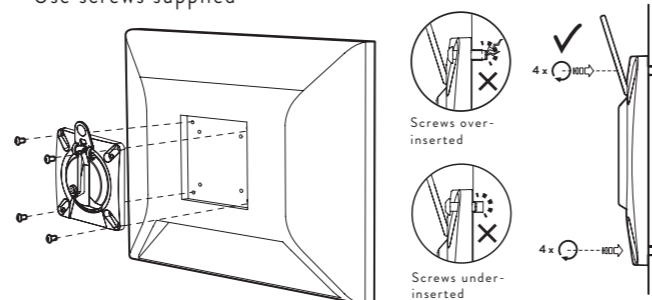
4



ATTACH MONITOR MOUNT PLATE TO MONITOR

5

Use screws supplied



IMPORTANT

It is the responsibility of the installer to ensure all mounting screws are properly engaged with a minimum of 4 x 360° turns into the display. Under or over insertion may cause damage to the equipment or injury to personnel.

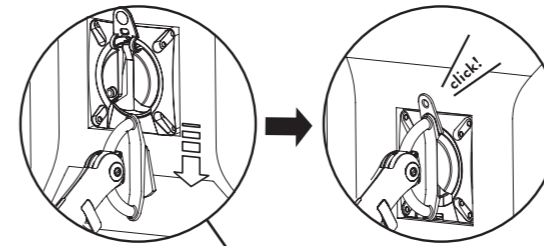
MAX
SCREEN WEIGHT
9KG/19.8LB



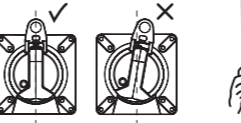
MOUNT MONITOR TO ARM

6

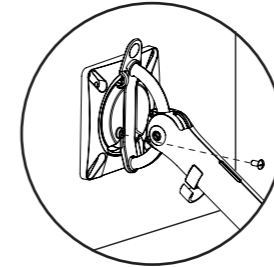
6A



6B

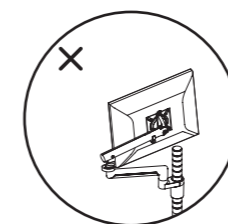
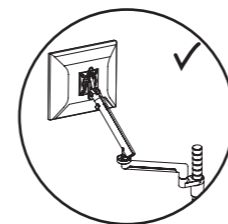


Install optional security screw if required



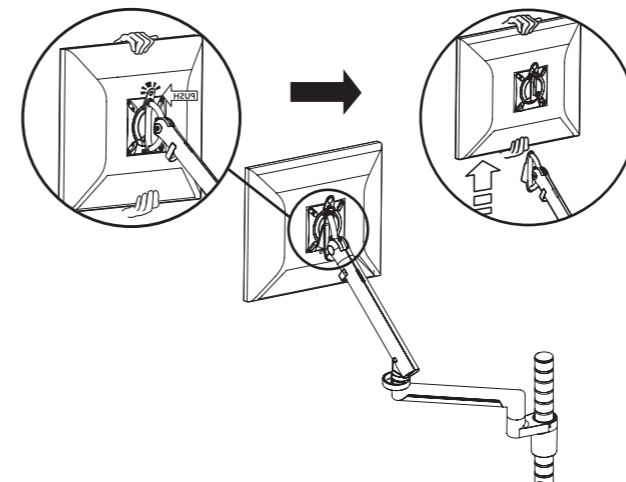
TO REMOVE MONITOR

7



IMPORTANT

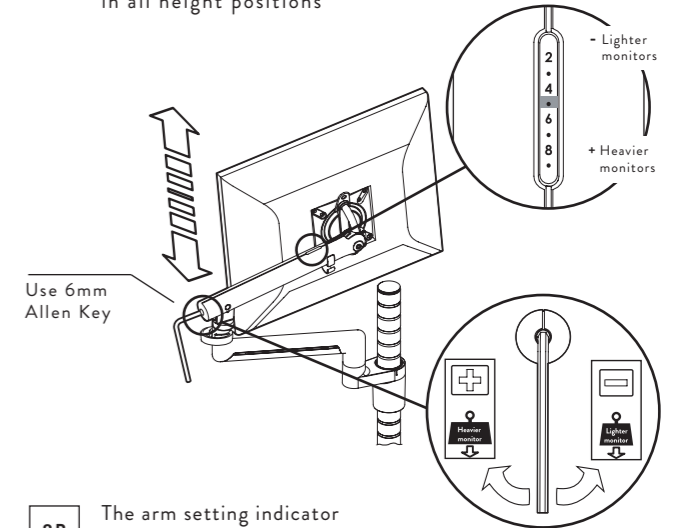
Raise arm to uppermost position before removing monitor otherwise it may spring up when unloaded



ADJUST ARM TO SUIT WEIGHT OF MONITOR

8

8A Turn adjuster screw until monitor 'floats' in all height positions

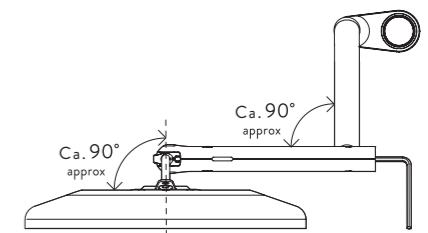


8B The arm setting indicator allows for quick installation of multiple monitors

You can quickly 'dial in' to the same setting, then if necessary, fine tune the adjustment to balance the monitor

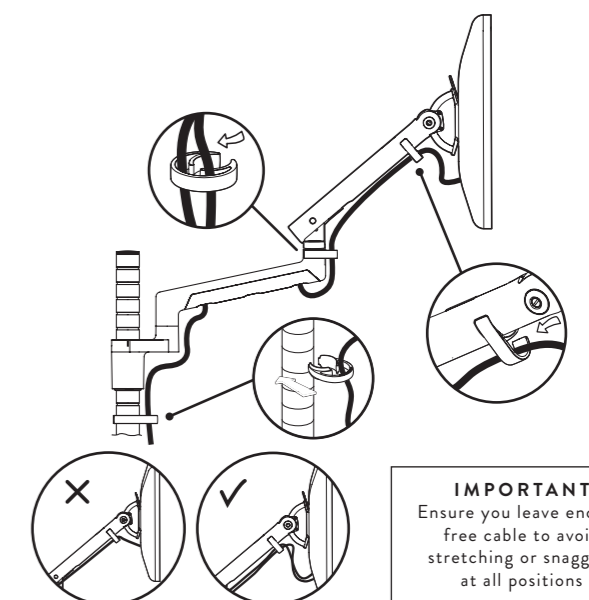
USEFUL TIP

Adjustment will be easier and more precise if arm is positioned as shown below whilst adjusting



INSTALL MONITOR CABLES INTO CABLE MANAGEMENT FEATURES

9



IMPORTANT

Ensure you leave enough free cable to avoid stretching or snagging at all positions