



# TECHNICAL SPECIFICATION SHEET

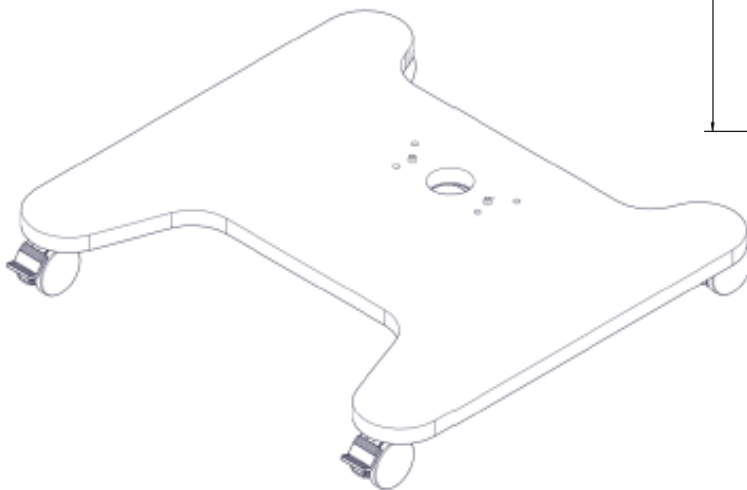
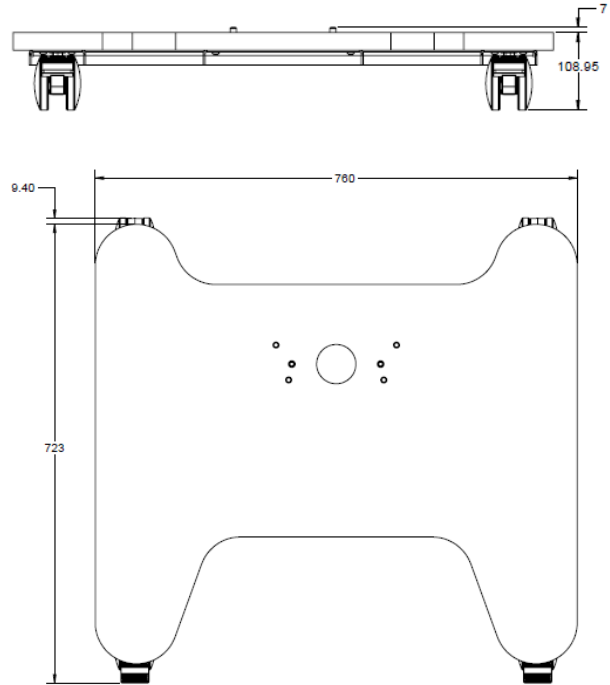
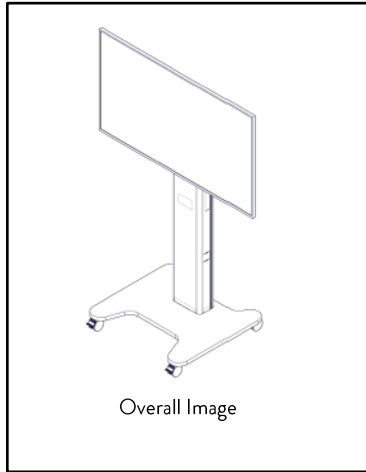
**PRODUCT NAME:** AV/VC Intro – Base

**PRODUCT CODE:** AVS/031/002

Doc Rev 1.

Product Rev #A

04.01.2017. CF



\*Note that dimensions provided are measured in mm

## KEY FEATURES

- Lockable castors
- Cut out in base designed to allow the user easy access to screen and back panel when used in an interactive session
- Location pins to allow easy install of column
- Cable management hole provided

<b>Product Classification</b>	AV Products
<b>Max load</b>	60 kg (132 lbs)
<b>Max Screen Size</b>	40" > 80"
<b>Recycled content</b>	TBC
<b>Total product recyclable</b>	TBC

## LOGISTICAL

---

Box contains	Base (incl castors)
Product net weight:	12.6 kg
Box dims (HxWxD)	765 x 830 x 130 mm
Box gross weight	15.8kg
Pallet quantity	TBC
Pallet dims (HxWxD)	TBC
Master weight	TBC
Country of origin	Czech Republic
Country of configuration	UK

## ORDERING INFORMATION

---

<b><u>Product Description</u></b>	<b><u>Product code</u></b>	<b><u>Colour</u></b>
AV/VC Intro – Base	AVS/031/002	:/W White or :/B Black

## WARRANTY

---

<b>Warranty Term</b>	Limited lifetime
----------------------	------------------

## COMPLIANCE & SAFETY CERTIFICATION

---

Whilst no mandatory standards apply to the AV/VC Intro accessory product sector, this product is tested to CBS's own standard which is based on UL 1678, (Tall display stands in public spaces, excluding hospitals, schools or similar environments where children, people with diminished capacity or disabilities are likely to move

<b>Conformance certification</b>	N/A
<b>Test authority</b>	CBS
<b>Safety certification</b>	N/A

## ENVIRONMENTAL

---

TBC

## CLEANING, STORAGE & MAINTENANCE

---

<b>Routine servicing</b>	Periodic inspection
<b>Service components</b>	Available to order
<b>Cleaning &amp; Maintenance</b>	Damp cloth, no abrasives, no solvents to be used on the cosmetic surfaces
<b>Handling &amp; Storage</b>	Do not drop or expose to moisture

---

Colebrook Bosson Saunders (Products) Ltd accept no liability for the accuracy of the information contained herein and retain the right to modify the specifications or data contained herein without prior notification.