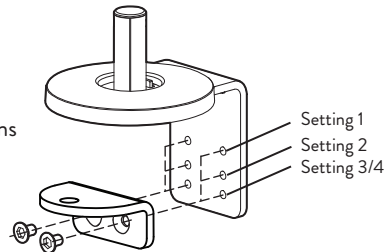




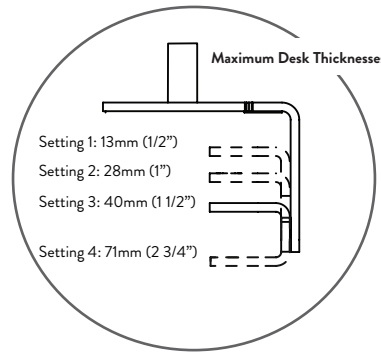
Flo Split Desk Clamp

DYN/013/AS09

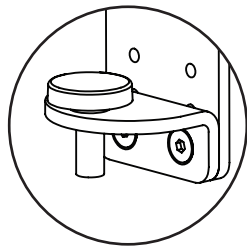
1
Fit M6 screws into clamp plate (for desks with screens follow step **4** first)



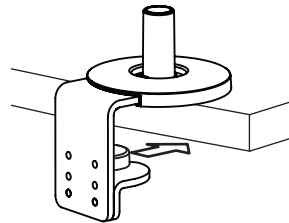
2
Fit clamp plate to bracket using hole position to suit required desk thickness



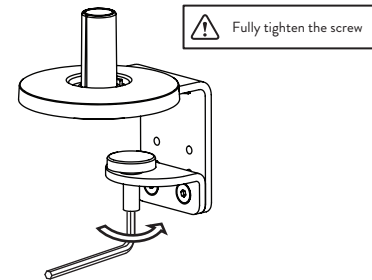
3
Fit M10 screw to clamp plate with clamp pad in position



4
Fit clamp to worksurface. Ensure back of the clamp is flush against edge of the worksurface



5
Tighten M10 clamp screw



⚠ WARNING

- Do not use this product for any purpose other than that for which it was designed
- Ensure desk/work surface is suitable to take the weight of the arm/s and monitors
- Supported weight must not exceed the maximum load per arm
- Take care when installing as fingers could become trapped

⚠ MAINTENANCE AND INSPECTION

- Ensure all screws are tightened and occasionally adjust if needed
- Ensure arm is pushed fully down onto the clamp before installing the monitor(s)
- Clean with a damp cloth, NO solvents

⚠ DISCLAIMERS

- The use of power tools, lever bars or excessive force during the installation, or re-configuration of the product will invalidate your guarantee
- Failure to observe the recommendations in the use, and configuration of these products may affect your guarantee

DYN-013-AS09-INST-B APR2014

Reconfiguring the 180° stop function

The Flo clamp base is factory fitted with a 180° stop feature. You can permit 360° rotation by simply pulling the cover and base from the clamp and repositioning the stop feature as shown.

